

Citadel AIB

Auxiliary Interface Box Datasheet



Features

- 4 individual output channels
- CAN-BUS control
- Programmable CAN-BUS commands
- Ruggedized for rough environments

Description of usage

Citadel AIB, (Auxiliary Interface Box), is an CAN-BUS controllable interface unit, designed to be implemented as optional device together with the Citadel Connex video matrix, in a Drivers vision enhancement system or a complete video situational awareness system on a vehicle.

The Citadel AIB is used in scenarios where there is a need to control external devices with an on/off signal. The Citadel AIB can be programmed for any application and be integrated into any existing system that utilizes the CAN-BUS standard.

The Citadel AIB is primarily used for controlling devices such as IR-illuminators, Washer tanks/pumps, searchlights, hydraulics and other devices with simple on/off control.

Basic principle of Citadel Connex

Distribution of video and power

Additional specifications:

- Power supply to cameras
- Designed to meet MIL-STD 461E – 810F - 1275D
- MIL 38999 connectors.

Copenhagen Sensor Technology A/S

Symfonivej 15
DK-2730 Herlev
Denmark

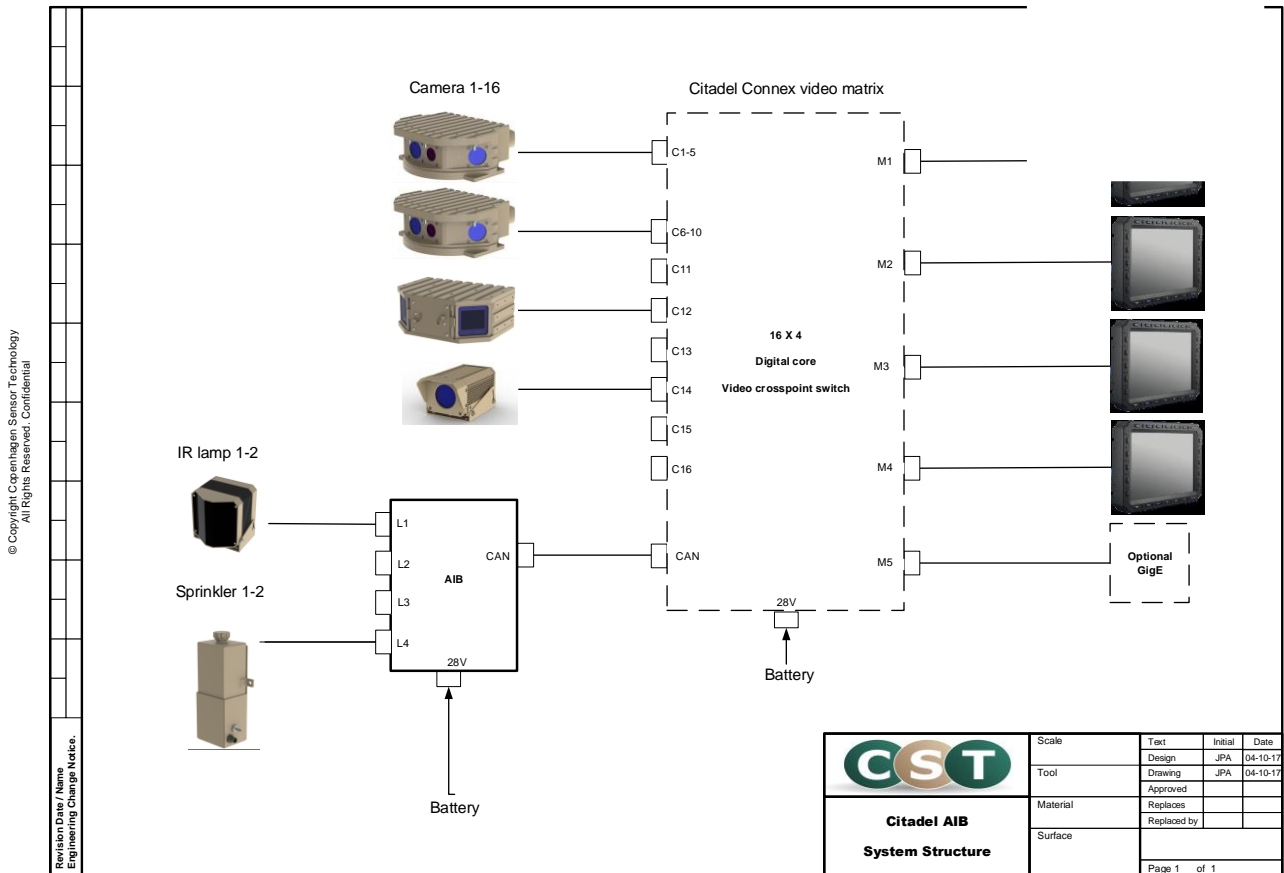
Phone +45 44 92 18 55
E-mail info@copst.com
Web www.copst.com

Document no. P06-001-D01
Revision/Date 01 / Oct 2017
Author jpa

Citadel AIB

Auxiliary Interface Box

Datasheet



Copenhagen Sensor Technology A/S

Symfonivej 15
DK-2730 Herlev
Denmark

Phone +45 44 92 18 55
E-mail info@copst.com
Web www.copst.com

Document no. P06-001-D01
Revision/Date 01 / Oct 2017
Author jpa

AIB Accessory Interface box (OPTIONAL)	
Electrical specifications	
AIB Main Power input	18-33V, 13A max total
AIB Control interface input	CAN bus 2.0, 250kbit & 24V power from video matrix
CAN bus address	0x201 or optionally 0x202
Accessory Fixed power output	4 channels 18-33V max 5A
Accessory Switched power output	4 channels 18-33V, 2A per channel
AIB Mechanical	
Overall dimensions (W x H x L)	225 x 136 x 214mm
Net weight	< 5 Kg
Housing material	Aluminium
Colour	Army green or black
Protective housing integrity	IP54
AIB control input connector	D38999/24ZA35PN
AIB box power outputs connectors	D38999/24ZA98SN
Power input connector	D38999/24ZC4PN
Chassis Ground Terminal	M5mm

Environmental specifications CONNEX and AIB	
Power input 28V	MIL-STD-1275
EMC/EMI	MIL-STD-461
Environmental specification	MIL-STD-810
Operating temperature	-40°C to +70°C
Storage temperature	-40°C to +70°C
Vibration	6,25 Grms 3 axis 6h
Shock	40g at 11ms

About Us

CST - Copenhagen Sensor Technology A/S is a privately held Danish company specialising in the design and manufacture of high-performance electro-optical solutions for demanding battlefield and surveillance applications.

Founded in 2001, CST has rapidly grown to a mature organisation, capable of serving a global customer base. In modern facilities on the outskirts of Copenhagen, Denmark, CST houses R&D, production, QA and sales and marketing functions. With a collective experience in CCD camera, optics, electronics and software development, the highly skilled staff at CST is committed to creating rugged, durable and innovative electro-optical solutions.

CST is certified to ISO 9001:2015, which applies to the whole process flow of design, development, manufacturing and testing. Furthermore, ISO 10007:2003 configuration management standards are used as a guideline for design and development activities. CST products are not restricted by ITAR.

Customer and OEM solutions

CST has a long tradition of working closely with its customers, identifying unmet needs and creating solutions with sustainable value for the users.

With a strong R&D base at the headquarters in Denmark, CST is able to provide mechanical, optical, software and hardware customisations while meeting the toughest requirements for military, homeland security and high-end surveillance applications. Whether the need calls for a ruggedized high-precision zoom lens or a highly sensitive CCD camera, or a complete system comprising lens, camera and advanced video processing, CST can offer a fast-track design process. Contact us to discuss your specific requirements. Together we can create a solution that provides the best price and performance ratio.

Copenhagen Sensor Technology A/S

Symfonivej 15
DK-2730 Herlev
Denmark

Phone +45 44 92 18 55
E-mail info@copst.com
Web www.copst.com

Document no. P06-001-D01
Revision/Date 01 / Oct 2017
Author jpa