

Citadel Quattuor Camera

Driver Sight camera for armoured vehicles
Datasheet

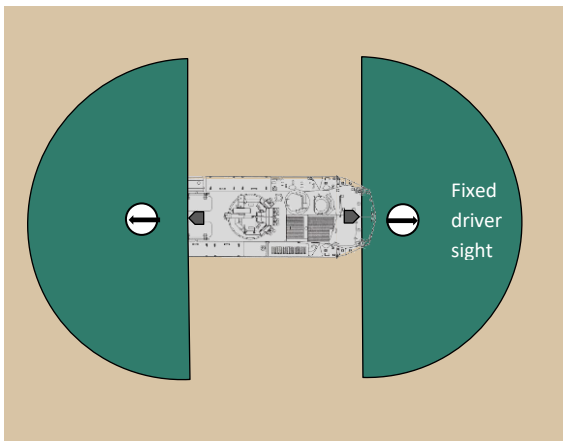


Features

- 57° Center Field of View and 57° or 90° side Field of View
- Image merging (Visible & Infrared)
- 24V operating voltage (15 – 36V)
- Washer function
- Graphical insertion
- IP 67

Description

Providing increased safety for the entire vehicle crew of armoured vehicles is of prime importance in the battlefield. In the Citadel Quattuor Cam you get both a thermal and 3 x visual cameras build into one unit where the centre thermal and visual cameras are merged providing an optimized sight for drivers inside an armoured vehicle. The two outer wide angle cameras gives a larger FoV for the driver/operator.



Features

Graphical insertion allows configuration of several graphic overlays e.g. in the form of distance markers and text strings.

Fog penetration in the daylight cameras. The fog penetration function is designed to automatically increase visibility under conditions such as fog, haze and fire smoke. The camera continuously analyses the picture and once it detects a low-contrast condition, it will automatically enhance the contrast.

White / Black hotspot change on thermal camera.

Merging function. The Citadel Quattuor Cam offer the driver/operator to adjust the blending between the centre Daylight and Thermal camera to ensure the maximum information for driving as well as situational awareness.

Combined sensor technology

The combined sensor technology gives 24/7 operation and provides combat support and service vehicle operators with increased driver's vision capability, survivability, and mobility during day, night and in adverse weather conditions such as dust, smoke, and haze.

Rugged design

The Citadel Quattuor Cam is encased in a rugged IP 67 housing, designed to withstand vibration in accordance with MIL STD 810G. It provides high-performance images, even under the harshest conditions, in temperatures ranging from -40°C to +70°C. All electrical connections go through a MIL-compliant 38999/23 connector. The integrated mounting bracket allows precise elevation and azimuth alignment of the camera.

Copenhagen Sensor Technology A/S

Symfonivej 15
DK-2730 Herlev
Denmark

Phone +45 44 92 18 55
E-mail info@copst.com
Web www.copst.com

Document no. M12-003-D01
Revision/Date G / mar. 2019
Author SH

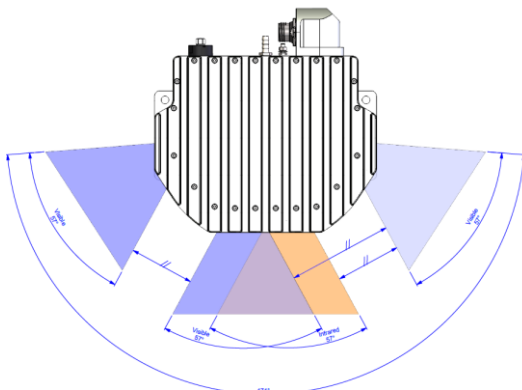
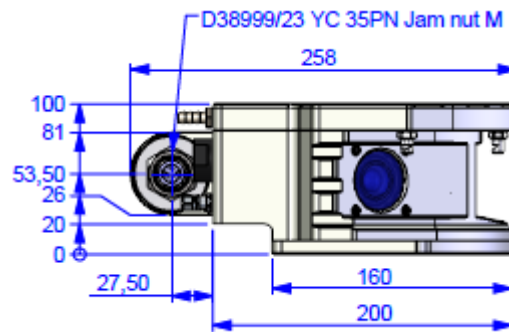
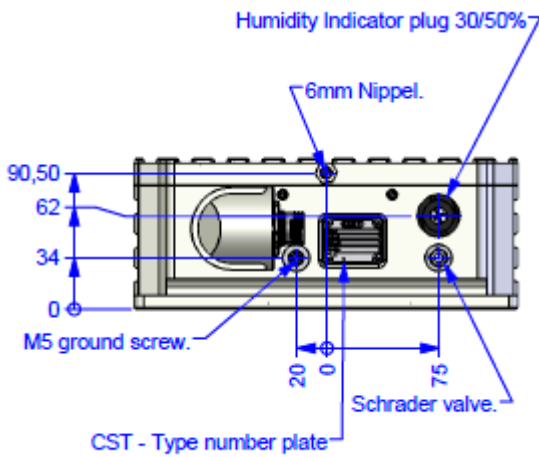
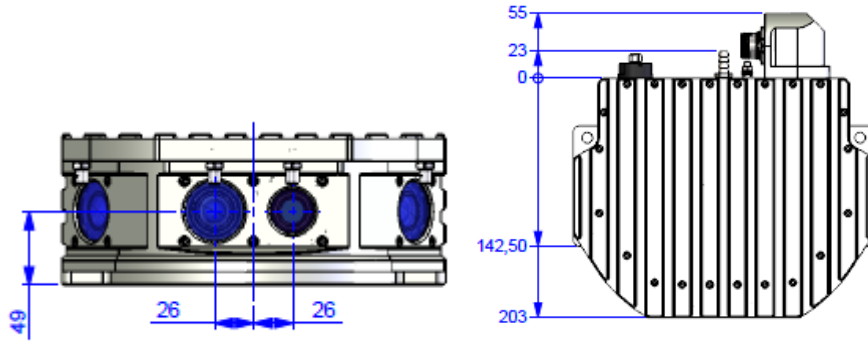
Citadel Quattor Camera

Driver Sight camera for armoured vehicles

Datasheet



Mechanical outline and dimensions



FoV coverage with 57° side cameras

Copenhagen Sensor Technology A/S

Symfonivej 15
DK-2730 Herlev
Denmark

Phone +45 44 92 18 55
E-mail info@copst.com
Web www.copst.com

Document no. M12-003-D01
Revision/Date G / mar. 2019
Author SH

Citadel Quattuor Camera

Driver Sight camera for armoured vehicles

Datasheet



Specifications

Channel	Color / Visual	Thermal
Image system		
Sensor	High sensitivity 3 Gen 1/3" colour CCD	Uncooled VOx or A-si Micro bolometer
Lens FOV.	57° and/or 90° HFOV at F1.4*	57°(HFOV)*
Effective pixels (H x V), per camera	PAL-976 x 582 (4:3 image format), NTSC-976 x 494 (4:3 image format)	640 x 480 (4:3 image format)
Detector pitch	5 µm x 6,25 µm	17 µm
Electrical specifications and functions		
Video output	PAL or NTSC, Composite VBS, 1 Vpp, 75 ohm	
Sensitivity in real time	0.007 lx, 25% video @ f/1.6, AGC on	50 mK
Sensitivity in extended night mode	0.001 lx, 25% video @ f/1.6, AGC on	
Spectral response	400-700nm	8 -14 µm
Dynamic Range Enhancement	XDR-function	
Picture inversion	Pos/neg	
Fog penetration	Image contrast enhancement	
Image Mirroring	Horizontal and Vertical image flip	
Configuration, serial interface	RS-422, CST protocol ore CAN-BUS	
Mechanical		
Overall dimensions (W x H x L)	258 x 100 x 203 mm (Not incl. connectors)	
Net weight	App. 5 kg	
Housing material	Aluminium with corrosion protection coating	
Protective housing integrity	IP-67, back-filled with dry nitrogen	
Camera window	Front window with multi-layer AR, ITO coating and heater for de-icing as option.	Germanium front window
Connector	D 38999 / 23YC35PN	
Environmental		
Operating voltage	15 – 36 V DC (Galvanic separation from housing)	
Over voltage protection	MIL-STD-1275-D	
Current consumption	Max. 25 W (incl. Active heater in window)	
Operating temperature	-40°C to +70°C (solar load)	
Storage temperature	-40°C to +70°C	
Shock / Vibration	MIL STD 810G (Track vehicle profile 6,25 Grms)	
EMC	MIL STD 461F RS103 and RE102	
MTBF	30 000 hours GB	
Start-up time for full operation	15 sec to driver mode	

*: Other FOV on request.

Copenhagen Sensor Technology A/S

Symfonivej 15
DK-2730 Herlev
Denmark

Phone +45 44 92 18 55
E-mail info@copst.com
Web www.copst.com

Document no. M12-003-D01
Revision/Date G / mar. 2019
Author SH

Citadel Quattuor Camera

Driver Sight camera for armoured vehicles

Datasheet



About Us

CST - Copenhagen Sensor Technology A/S is a privately held Danish company specialising in the design and manufacture of high-performance electro-optical solutions for demanding battlefield and surveillance applications.

Founded in 2001, CST has rapidly grown to a mature organisation, capable of serving a global customer base. In modern facilities on the outskirts of Copenhagen, Denmark, CST houses R&D, production, QA and sales and marketing functions. With a collective experience in CCD camera, optics, electronics and software development, the highly skilled staff at CST is committed to creating rugged, durable and innovative electro-optical solutions.

CST is certified to ISO 9001:2015, which applies to the whole process flow of design, development, manufacturing and testing. Furthermore, the ISO 10007:2003 configuration management standard is used as a guideline for design and development activities. CST products are not restricted by ITAR.

Customer and OEM solutions

CST has a long tradition of working closely with its customers, identifying unmet needs and creating solutions with sustainable value for the users.

With a strong R&D base at the headQuattuors in Denmark, CST is able to provide mechanical, optical, software and hardware customisations while meeting the toughest requirements for military, homeland security and high-end surveillance applications.

Whether the need calls for a ruggedized high-precision zoom lens or a highly sensitive CCD camera, or a complete system comprising lens, camera and advanced video processing, CST can offer a fast-track design process. Contact us to discuss your specific requirements. Together we can create a solution that provides the best price and performance ratio.

Copenhagen Sensor Technology A/S

Symfonivej 15
DK-2730 Herlev
Denmark

Phone +45 44 92 18 55
E-mail info@copst.com
Web www.copst.com

Document no. M12-003-D01
Revision/Date G / mar. 2019
Author SH